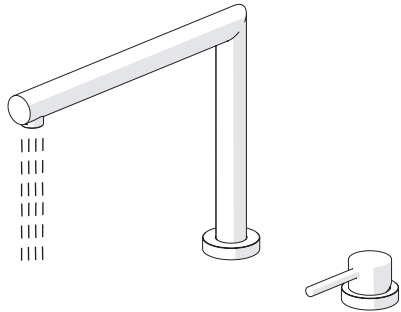
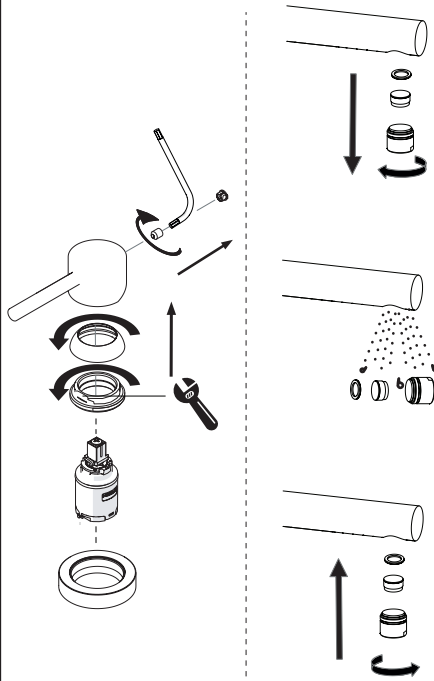


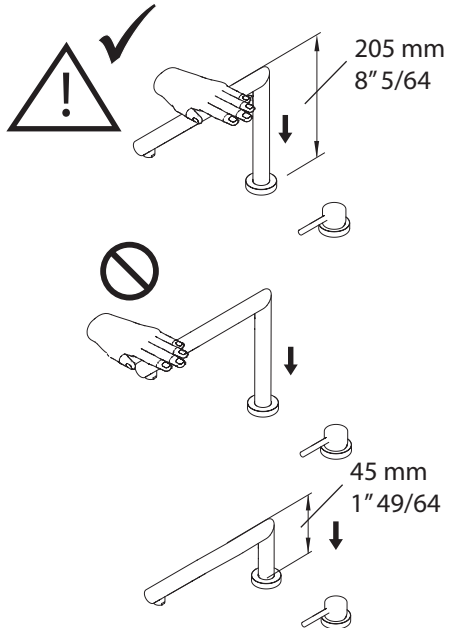
Check each connection carefully to ensure well finish. Switch on the angle valve, turn on then turn off the faucet to check whether it has leakage



6



IISTRAO93513#C1.2069



**Caution: Maintenance**

1. If you change the accessory, it is better for you to buy accessory in the same shop which you bought the faucet before.
2. Make sure the water source is in "TURN OFF" position when you maintain the faucet.

**Cleaning Instructions:**

1. Clean the faucet frequently to keep it clean.
2. Clean up with pure or soft water and dry it out with soft cloth.
3. Never clean the surface with a coarse cloth or tissue.
4. Not allowed to use any acid liquid and grinding agent to clean the surface.

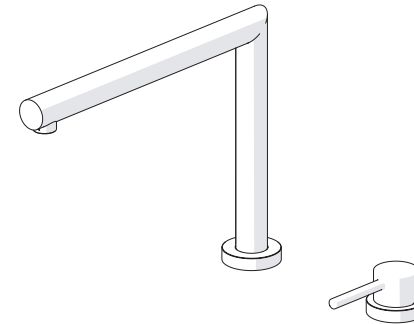
**BOCCHI USA**

11350 Old Roswell Rd. STE 600  
Alpharetta, GA 30009

T. 877-565-2221

**BOCCHI®**

**Installation  
Manual**



2029 0001

**BAVENO MOVE KITCHEN FAUCET**

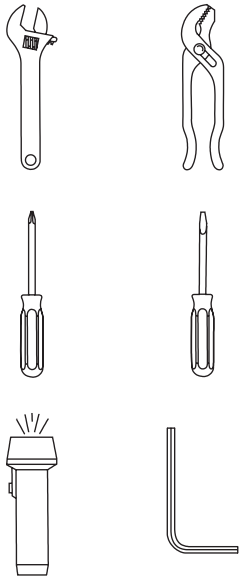
## Important

In order to install more effectively, please read all information about this installation guide in detail before installation. Make sure the water source pipe without any debris to prevent blocking before installation.

## Warning

Installation by a professional plumber is necessary.

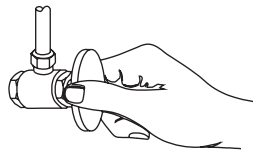
### You may need tools as below:



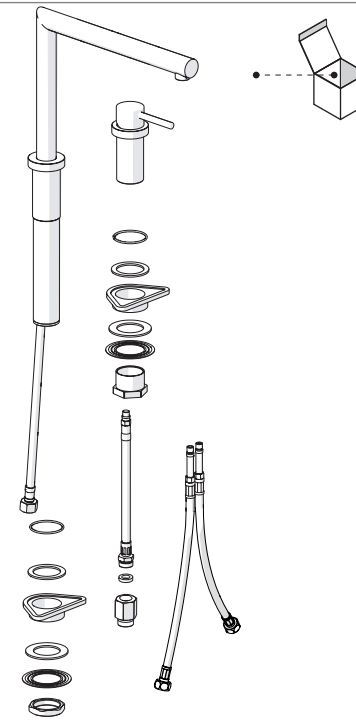
### Installation Steps

#### 1

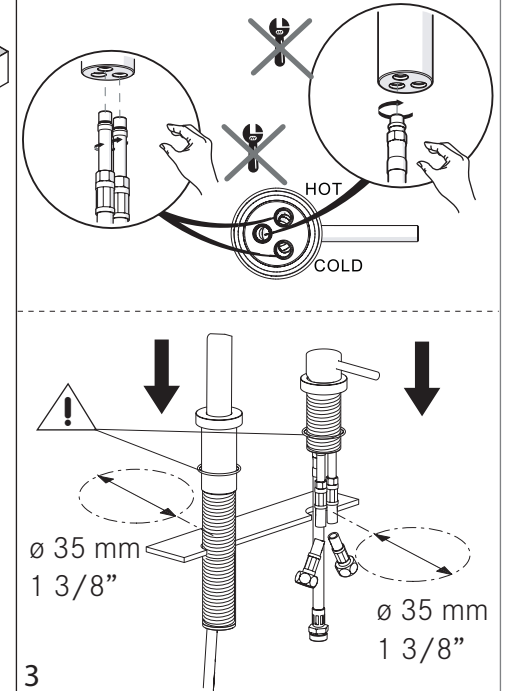
Clean the water valve outlet to remove debris. Turn off the water source valve which is usually near the water meter. If changing the previous faucet, the sink should be clean thoroughly.



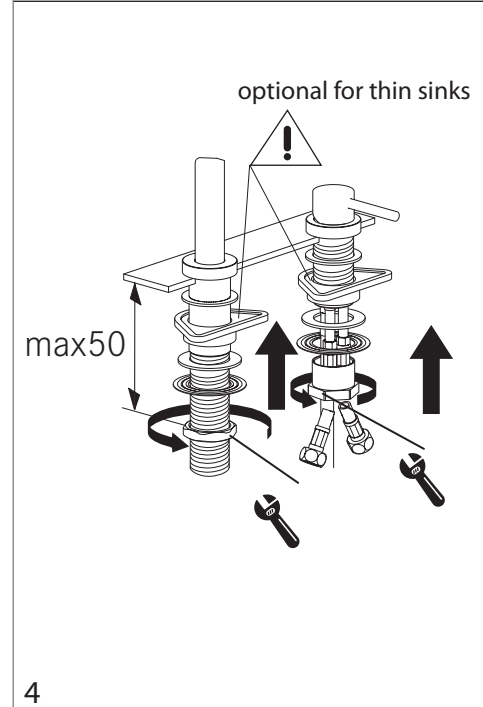
2



3



4



5

